

COTA 10

Pedro Varella

Río de Janeiro, Brasil, 2015



The demolition of the elevated perimetral viaduct is one of the symbolic actions that represent the transformation process that Rio de Janeiro is currently undergoing. Built between the 1950s and 1970s, the structure remained standing for half a century until its demolition in April 2014. Even though its destruction was widely spread and used as a political argument, little is said about the requalification of the spaces generated in its place.

The project COTA 10 arises in the context of the artistic occupation exhibition titled *Permanências e destruições*, which occupied different places in the city between January and February 2015. Through the construction of a temporary structure, the project proposes a space of reflection regarding the demolition of the elevated viaduct at Plaza XV, place where thousands of people arrive each day on the ferries and boats that cross the Guanabara Bay.

The proposal consists of a staircase built out of scaffolding structures, which leads the public to a platform raised 10 meters above the ground level of the square, the same height of the in-existent platform of the elevated viaduct. The use of scaffolds for the structure and every other element (stairs, platforms and railways) guaranteed the low cost of the project by reusing the pieces from other temporary constructions into the composition of new ones, while allowing the assembly of the complete structure in only 36 hours. The structure is located right where a column that supported the viaduct once stood. Thanks to COTA 10 it was possible to contemplate and experience the square like never before: as a still body in opposition to the velocity of the former raised highway. **ARQ**



Feria de antigüedades bajo viaducto, 2010 / Antiques fair under viaduct, 2010 © Pedro Varella



© Pedro Varella

Arquitectos / Architects

Gru.A. Pedro Varella

Arquitectos asociados / Associated architects

Caio Calafate, Sergio Garcia-Gasco

Colaboradores / Contributors

Julio Parente, artista visual y co-autor del proyecto

Ubicación / Location

Praça XV, Rio de Janeiro, Brasil

Encargo / Request

Evento artístico / Artistic exhibition *Permanências e Destruições*

Curador / Curator

João Paulo Quintela

Cálculo estructural y construcción / Structural design and construction

MVD. Osmar Dutra

Fecha proyecto y construcción / Date of project and construction

2015

Materiales / Materials

Estructura tubular prefabricada en acero galvanizado / Tubular prefabricated structure on galvanized steel

Superficie construida / Floor area

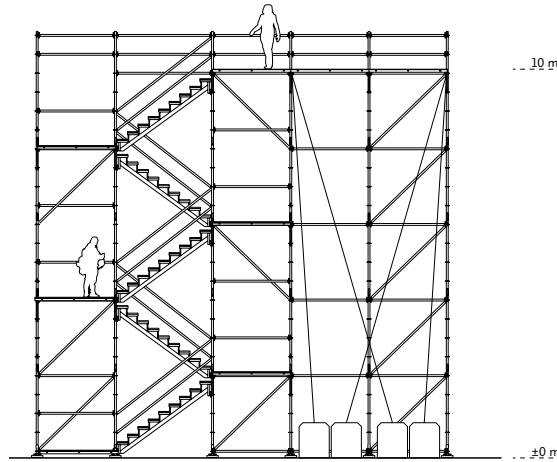
50 m²

Presupuesto / Cost

us\$ 90/ m²

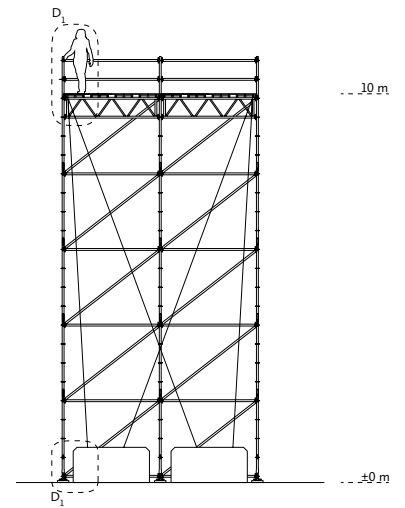
/ AA Section

E. / S. 1: 200



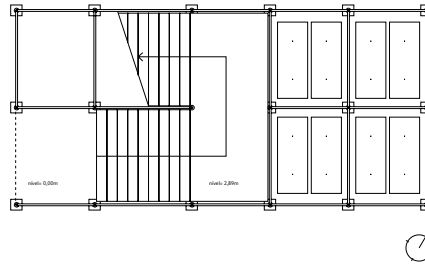
/ BB Section

E. / S. 1: 200



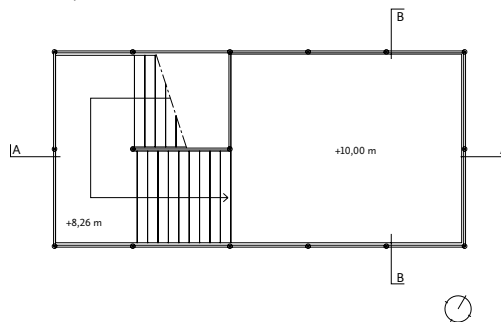
/ Floor plan

E. / S. 1: 200



/ Ground level + 10 m

E. / S. 1: 200

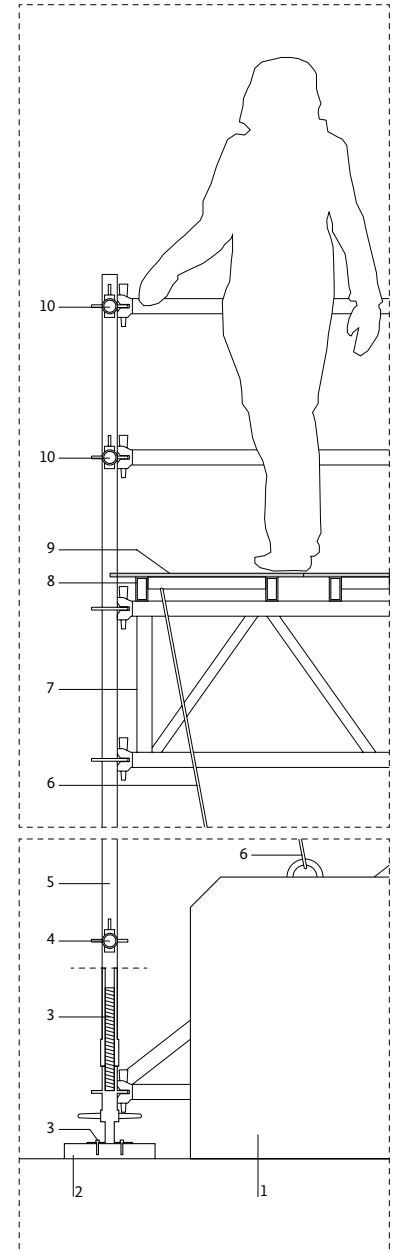


/ LEGEND

1. Bloque de concreto 1 ton / 1 ton concrete block
2. Pieza de madera maciza 2,5 m largo, 2" x 10", apoyada directamente sobre el suelo / 2.5 m long piece of solid Wood, 2" x 10", resting directly on the floor
3. Rosca acero galvanizado para regulación de la estructura tubular vertical Ø 1 1/2" / Galvanized steel screw for regulation of vertical tubular structure Ø 1 1/2"
4. Estructura tubular horizontal prefabricada en acero galvanizado Ø 2" / Horizontal tubular structure prefabricated on galvanized steel Ø 2"
5. Estructura tubular vertical prefabricada en acero galvanizado Ø 2" / Vertical tubular structure prefabricated on galvanized steel Ø 2"
6. Cable de acero / Stainless steel rope
7. Viga prefabricada h= 50 cm / Precast beam h= 50 cm
8. Viguetas transversales h= 7 cm / Cross small beams h= 7 cm
9. Piso madera contrachapada con recubrimiento melaminico / Plywood floor coating with melamine
10. Baranda de estructura tubular prefabricada en acero galvanizado Ø 2" / Tubular railing prefabricated on galvanized steel structure Ø 2"

/ Detail 1

E. / S. 1: 25



PEDRO VARELLA

Architect, Universidad Federal de Río de Janeiro, Brazil. Master (c) in Architectural Theory and Criticism at the PROARQ, Universidad Federal de Río de Janeiro, Brazil. Coauthor of *Rio Metropolitano: guia para uma arquitetura*, published in 2013. Founding partner of GRU.A.



© Rafael Salim